

## Mini Turbo Fan WDH-C20



Dear Customer,

You have chosen a high-quality product. To ensure that you get a lot of enjoyment from this product, here are a few more tips:

### **In case of any problems:**

We hope that the unit meets your expectations! If, despite the greatest possible care, there should ever be cause for complaint, please contact us briefly, as we are very concerned about your satisfaction and would like to clear up any misunderstanding.

### **Description:**

This mini turbo fan is very robustly manufactured and designed for a long service life. The housing is made of almost indestructible "Linear Rotational Plastic". The unit has a practical carrying handle. A long-life, high-performance single-phase motor is built into the unit.

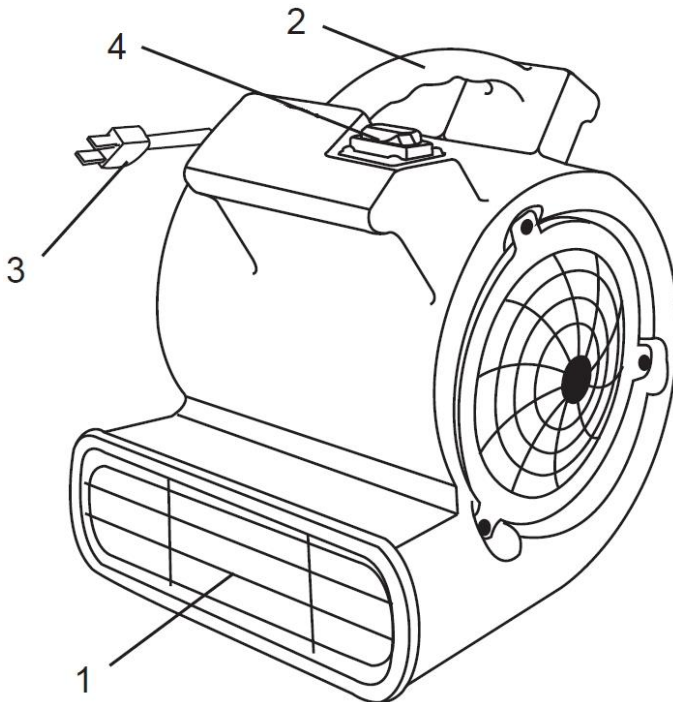
## **Important safety instructions:**

- This blower is not suitable for use in the rain and/or in wet environments !
- Do not operate the unit in environments where there is a risk of coarse dust, debris or small objects being sucked in. These could damage the unit or be blown out like projectiles!
- Never walk with your head/face into the near area of the escaping wind stream, small particles or objects can be blown out with it, which can lead to injuries !
- Ensure that the blower stands securely and level !
- Never use the blower on moving surfaces, objects or vehicles ! There is a risk that the unit may tip over !
- Supervise the fan when children are near the unit !
- Never enter or insert objects into the appliance !
- Do not place any objects on the fan !
- Do not block the supply and/or exhaust air of the unit and please ensure sufficient space/clearance around the unit !
- Ensure that there is sufficient air supply to the unit, otherwise it can lead to a reduction in performance and, in the worst case, to overheating and/or fire !
- Only qualified personnel or electricians are allowed to open the unit !
- Make sure that no moisture gets into the unit !
- Only use the recommended voltage for operating the unit !
- Make sure that the power cable is unfolded (untied) before connecting it to the socket !
- Make sure that the plug is cleanly and properly connected to the socket before using the appliance !
- Never reach near the plug or socket with wet hands !
- Do not repair defective or damaged cables on the unit yourself, you could get a severe electric shock !
- Make sure that highly flammable substances (e.g. gases/oils etc.) are never in the vicinity of the unit !
- If you are not going to use the unit for a long time, switch it off and disconnect the mains plug !
- Do not disconnect the mains plug by pulling on the power cable !

Please switch off the unit immediately and disconnect it from the power supply, if something seems wrong !!! In this case, please contact a specialist and do not try to repair the unit yourself !!!

**Example:** Fan does not run during operation or fuse has blown.

## Description of the unit parts:



1. Protective grille
2. Carrying handle
3. Power cable / mains plug
4. On / Off switch

## Instructions for use:

### 1. Operational environment

- The maximum operating temperature should not exceed +40°C !
- The maximum relative humidity should not exceed 90% !
- The unit should not be operated at altitudes higher than 1,000 metres above sea level!

## 2. Commissioning

2.1. Now insert the mains plug properly into the socket.

2.2. Position the fan so that the air stream flows in the desired direction after switching on. The turbo fan can be placed in three positions. Place it according to your airflow needs:

- Air flow horizontal (0°)
- Airflow diagonal (45°)
- Air flow vertically upwards (90°)



2.3. The fan is switched on by a toggle switch (ON/OFF) located on the side of the unit.

**O** = OFF  
**I** = ON

## 3. Maintenance, Cleaning & Storage

Please always disconnect the mains plug first and allow the fan to run down completely before carrying out any cleaning activities on your appliance !

### 3.1. Maintenance:

A professional should treat the fan shaft with lubricating oil approx. every 1,500 operating hours to ensure optimum operation and a long service life of the fan.

### 3.2 Cleaning:

- Use a soft and damp cloth to clean the outside of the unit.
- Only use mild cleaning agents to clean your blower.
- Please ensure that water does not get into the interior of the unit or the electrical control box at any time !

### 3.3 Storage:

- We recommend covering the unit for storage or ideally packing it in its original box.
- Store the unit in a dry and sufficiently ventilated place/space.

## Technical data:

<b>Model designation:</b>	WDH-C20
<b>Voltage:</b>	230V / 50Hz
<b>Max. Power consumption:</b>	80 W (0.4 A)
<b>Air circulation:</b>	Approx. 420 m <sup>3</sup> /h
<b>Protection class:</b>	IP10
<b>Noise emission:</b>	Approx. 58 dB
<b>Dimension (H/W/D):</b>	310 x 253 x 280 mm
<b>Weight:</b>	3,5 kg

For the technical data, deviations are reserved !!!

## Other:

### **Warranty statement:**

Notwithstanding the statutory warranty claims, the manufacturer grants a warranty in accordance with the laws of your country, but at least 1 year (in Germany 2 years for private individuals). The warranty begins on the date of sale of the appliance to the end user.

The guarantee only covers defects that are due to material or manufacturing faults.

Warranty repairs may only be carried out by an authorised customer service. To make a warranty claim, please enclose the original sales receipt (with date of sale).

Excluded from the guarantee are:

- Normal wear
- Improper applications, such as overloading the appliance or non-approved accessories.
- Damage due to external influences, use of force or foreign objects
- Damage caused by non-observance of the operating instructions, e.g. connection to an incorrect mains voltage or non-observance of the assembly instructions.
- Completely or partially dismantled units

## Conformity:

The plastic blower has been tested and itself and/or parts thereof have been manufactured under the following (safety) standards:

## Of course with CE (EMC + LVD) conformity.

Conformity tested according to: EN55014-1:2006+A1:2009+A2:2011  
EN55014-2:1997+A1:2001+A2:2008  
EN61000-2-3:2014 / EN61000-3-3:2013  
EN60335-1:2012+A1:2014  
EN60335-2-80:2003+A1:2004+A2:2009

## Correct disposal of this product:



Within the EU, this symbol indicates that this product should not be disposed of with household waste. Waste equipment contains valuable recyclable materials that should be recycled and not harm the environment or human health through uncontrolled waste disposal. Therefore, please dispose of old appliances via suitable collection systems or send the appliance for disposal to the place where you purchased it. They will then recycle the appliance.

We hope you enjoy using this appliance:

## ***Your Aktobis AG***

***Keep these instructions for use in a safe place !***