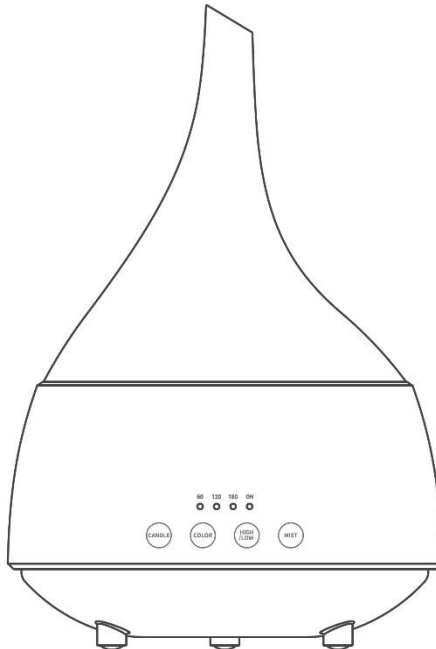


## Aroma Diffuser WDH-AD31



Dear Customer,

You have chosen a high-quality product. To ensure that you get a lot of enjoyment from this product, here are a few more tips:

### **In case of problems**

We hope that the unit meets your expectations! If, despite the greatest possible care, there should ever be cause for complaint, please contact us briefly, as we are very concerned about your satisfaction and would like to clear up any misunderstanding.

## **The first farm**

As the inner unit comes into contact with water for the first time, there may be a slightly "adulterated" smell at the beginning. However, this disappears after a very short time (1-2 days).

Use only clear and clean (or distilled) water below 40°C to fill the aroma diffuser.

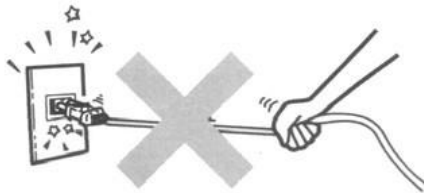
## **Functional description**

The Ultrasonic Aroma Diffuser WDH-AD31 uses an ultrasonic high-frequency oscillation of 2.4 MHz to atomise the water-aroma mixture into the smallest water vapour particles of approx. 1-5 µm (thousandths of a millimetre) !!! A fan system then ensures that this ultra-fine water vapour is evenly released into the room air.

## **Important safety instructions**

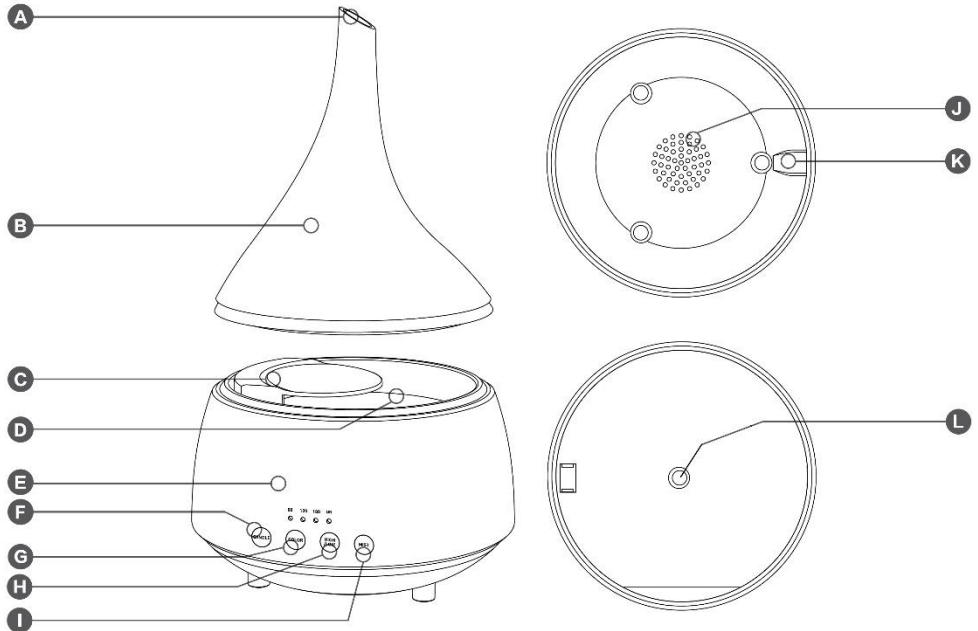
- Use only the recommended voltage for the operation of the Aroma Diffuser !
- Supervise the Aroma Diffuser when children are near the appliance !
- Watch out for electricity, never walk into or insert objects into the appliance !
- The aroma diffuser is intended for indoor use only !
- Do not block the outlet for the water vapour and please ensure sufficient space/clearance on and around the unit !
- Only qualified personnel or electricians are allowed to open the unit !
- Make sure that no moisture gets to the electrics of the unit !
- Make sure that the power cable is unfolded (untied) before connecting it to the socket !
- Make sure that the plug is cleanly and properly connected to the socket before using the appliance !
- Never reach near the plug or socket with wet hands !
- Do not repair defective or damaged cables on the unit yourself, you could get a severe electric shock !
- If you are not going to use the unit for a long time, switch it off and unplug it from the mains !
- Do not start the appliance without water in the aroma tank !
- Use in freezing temperatures may cause damage or defects to the Aroma Diffuser !

- Do not disconnect the mains plug by pulling on the power cable !
- Do not use insect repellent, oil spray, paint spray, etc. near the aroma diffuser. This may cause damage to the appliance or even fire !
- Do not place the appliance on sloping or uneven ground !
- Please do not expose the mains plug and the socket to direct moisture and steam. Use the cable length of the appliance so that the mains plug and socket are not directly next to the aroma diffuser !
- For effective aromatisation of a single room, we recommend closing all doors and windows !
- Always set up and transport the unit in its proper and upright position !
- Switch off the Aroma Diffuser completely when refilling and cleaning !



Please switch off the unit immediately and disconnect it from the mains/power supply if anything seems to be wrong !!! In this case, please contact a specialist and do not attempt to repair the unit yourself !!!

## Device description



- |                          |                              |
|--------------------------|------------------------------|
| A) Steam or aroma outlet | G) Illumination button (LED) |
| B) Cover                 | H) Operating strength button |
| C) Air supply            | I) Steam button              |
| D) Aroma tank            | J) Air intake                |
| E) Housing               | K) Mains plug Connection     |
| F) Candlelight button    | L) Ultrasonic atomizer       |

## Instructions for use

### 1. Before use

Carefully remove the Aroma Diffuser from its packaging box and remove all protective packaging. Place the Aroma Diffuser on a firm, level surface that provides sufficient space for the appliance and the user.

### 2. Commissioning

- 2.1 Open the lid of your Aroma Diffuser and fill the Aroma Tank with clean, clear water. Then add a few drops of your desired flavouring. We recommend a maximum of 0.1 ml - 0.15 ml aroma oil per 100 ml water in the aroma tank !  
In addition, we recommend that you always use only 100% essential oil !

#### Notes:

- Always use only water with a temperature below 40°C !
- Always use boiled and then cooled water. Distilled water is also excellent for preventing calcification of your appliance.  
avoid !
- Only fill the aroma tank to the specified maximum quantity (300 ml) using the measuring cup provided !

- 2.2. First connect the mains plug to the unit and then plug the mains plug into a socket. Switch on the appliance by pressing the MIST button. The unit starts with a high aroma output (30 ml/h). You can also activate a lower aroma output (20 ml/h) by pressing the HIGH/LOW button. Then use the MIST button to set the desired operating time.

Press the MIST button 1x:	=	Unit operates for 60 minutes
Press the MIST button twice:	=	Unit operates for 120 minutes
Press the MIST button 3 times:	=	Unit operates for 180 minutes
Press the MIST button 4x:	=	Unit operates in continuous mode (ON)*
Press the MIST button 5 times:	=	Unit switches off
Hold down the MIST button:	=	Unit switches off

\*The appliance operates until the water in the aroma tank is used up and then switches off completely.

2.3. You can activate the built-in LED illumination with the CANDLE key or the COLOR key.

Press the CANDLE button 1x: = Candle flickering of the LED activated  
Press the CANDLE button twice: = LED lights up without flickering in candle look  
Press the CANDLE button 3 times: = LED candle lighting switches off  
Keep CANDLE button pressed: =LED candle light switches off

Press the COLOR button 1x to activate the colour-changing illumination. The LED changes its colours and there is a continuous colour change.

Press the COLOR button more times if you want to set a specific colour of the LED illumination. You can choose between 7 different colours with different brightness.

Press and hold the COLOR button to stop the coloured LED illumination.

## 3. Cleaning & Storage

### 3.1 Preparation for cleaning

- Please switch off the appliance first and disconnect the mains plug before cleaning the aroma diffuser.
- Remove the lid of the aroma diffuser and empty the appliance completely of any residual water.

### 3.2 Cleaning the housing and the wet area

- Use only mild detergents to clean your aroma diffuser.
- Rinse the aroma tank carefully and wipe the outside with a damp cloth.
- Now carefully clean the round white ultrasonic water vapour unit in the lower part of the aroma tank of your machine.
- Clean your appliance after 5 to 6 times of use or after 3-5 days.
- Clean your appliance every time before you want to use a new aroma oil !

Notes: In the case of hard water (the tap water contains too much calcium and magnesium), limescale deposits can occur in the aroma diffuser and especially in the area of the water vapour unit and these can lead to impairment of the functioning. We therefore recommend that you use

- Clean the ultrasonic water vapour unit every week.
- Change the water in the aroma tank regularly to keep it fresh.

Clean the evaporator as follows:

- a.) Add 5-10 drops of a suitable cleaning agent (e.g. Dimanin A\* *available at any pharmacy\**) to the surface of the vaporiser or also to the rest of the lower area of the aroma tank and wait a few minutes.
- b.) Then carefully wipe off any flakes of dirt (limescale) from the surfaces with a soft sponge.

Note: Never clean the vaporiser with objects made of metal or blunt material ! This would damage the evaporator.

- c.) Finally, rinse the vaporiser / aroma tank well with clear water.

### 3.3 Storage

- Remove all water, clean the appliance thoroughly and dry it well if you are not going to use the aroma diffuser for a long time. (Let the appliance dry out completely and please remove all water and oil residues).
- We recommend that you store the dried out and cleaned unit in the original box when not in use.

### Technical data

<b>Model name:</b>	WDH-AD31
<b>Voltage:</b>	100 ~ 240V / 50 ~ 60Hz
<b>Max. Power consumption:</b>	12 W / 24 V
<b>Aroma output:</b>	10 - 30 ml/h
<b>Aroma tank capacity:</b>	Approx. 300 ml
<b>Electrical protection class:</b>	III
<b>Dimension (H/W/D):</b>	240 x 158 x 158 mm
<b>Weight:</b>	0,5 kg

*For the technical data, deviations are reserved !!!*

## Troubleshooting

<b>Problem</b>	<b>Possible cause</b>	<b>Solution</b>
The unit does not switch on	No power supply	Check the mains plug
The unit cannot be switched on after cleaning	After cleaning, the mains plug was not fixed properly	Secure all parts of the appliance and the mains plug tightly and neatly
Abnormal smell	New device	Open the lid and leave the aroma tank in a cool place for approx. 12 hrs.
	Dirty water or old water in the aroma tank	Clean the aroma tank and then fill it with fresh and clean water
Too little steam emission	Unit, evaporator or aroma tank is calcified	Clean all components incl. the water steam unit
	Water is contaminated or has been in the aroma tank for too long	Clean the aroma tank and then fill it with fresh water
Abnormal noises	Water in the aroma tank is coming to an end	Fill up the aroma tank
	Unit stands on uneven ground	Ensure that the Aroma Diffuser stands securely
White dust settles near the unit	Lime water	Use soft (distilled) water to fill the appliance !



## Other

### Declaration of guarantee

Notwithstanding the statutory warranty claims, the manufacturer grants a warranty in accordance with the laws of your country, but at least 1 year (in Germany 2 years for private individuals). The warranty begins on the date of sale of the appliance to the end user.

The guarantee only covers defects that are due to material or manufacturing faults. Warranty repairs may only be carried out by an authorised customer service. To make a warranty claim, please enclose the original sales receipt (with date of sale).

Excluded from the guarantee are:

- Normal wear
- Improper applications, such as overloading the appliance or non-approved accessories.
- Damage due to external influences, use of force or foreign objects
- Damage caused by non-observance of the operating instructions, e.g. connection to an incorrect mains voltage or non-observance of the assembly instructions.
- Completely or partially dismantled units

### Conformity

The Aroma Diffuser has been tested and itself and/or parts thereof have been manufactured under the following (safety) standards:

**Of course with CE (EMC + LVD) conformity.**

CE (EMC) conformity tested according to: EN 55014-1:2006/A2:2011  
EN 55014-2:2015  
EN 61000-3-2:2014  
EN 61000-3-3:2013

CE (LVD) Conformity tested according to: EN 60335-2-98:2003:A1:2005+A2:2008  
EN 60335-1:2012+A11:2014  
EN 62233:2008

## Correct disposal of this product



Within the EU, this symbol indicates that this product should not be disposed of with household waste. Waste equipment contains valuable recyclable materials that should be recycled. Furthermore, the environment or human health should not be polluted by uncontrolled waste disposal.

Please dispose of

Therefore, dispose of old appliances via suitable collection systems or send the appliance for disposal to the place where you bought it. They will then recycle the appliance.

I wish you much pleasure with this appliance.

*Your Aktobis AG*

***Keep these instructions for use in a safe place !***