

## Battery Hand Blower WDH-6601



Dear Customer,

You have chosen a high-quality product. To ensure that you get a lot of enjoyment from this product, here are a few more tips:

### **In case of any problems:**

We hope that the unit meets your expectations! If, despite the greatest possible care, there should ever be cause for complaint, please contact us briefly, as we are very concerned about your satisfaction and would like to clear up any misunderstanding.

### **Description:**

This tool is designed for blowing away or sucking up dust and dirt. This hand blower is very robustly manufactured and designed for a long service life. The housing is made of high-quality plastic. The unit has a practical blower attachment (nozzle), which bundles the discharged air well. Alternatively, this blower also offers the option of connecting a dust collection bag in the exhaust air area.

## **Scope of delivery:**

- 1 x hand blower
- 1 x Blower attachment (nozzle)
- 1 x battery charger
- 1 x rechargeable battery (18V / 2.0 Ah)

## **Important safety instructions:**

- This blower is not suitable for use in the rain and/or in wet environments !
- Do not operate the unit in environments where there is a risk of coarse dust, debris or small objects being sucked in. These could damage the unit or be blown out like projectiles!
- Make sure that your clothes as well as hair, jewellery and the like are not sucked in by the unit, this could lead to injuries and damage to the unit !
- Never walk with your head/face into the near area of the escaping wind stream, small particles or objects can be blown out with it, which can lead to injuries !
- Never point the unit at other people !
- Never enter or insert objects into the appliance !
- Do not misuse the unit. Use it exclusively for the intended purpose.
- Do not make any independent changes to the unit !
- Do not block the supply and/or exhaust air of the unit and please ensure sufficient space/clearance around the unit !
- Ensure that there is sufficient air supply to the unit, otherwise it can lead to a reduction in performance and, in the worst case, to overheating and/or fire !
- Only qualified personnel or electricians are allowed to open the unit !
- Make sure that no moisture gets into the unit !
- Only use the recommended voltage for charging the battery !
- Make sure that the charger's power cable is unfolded (untied) before connecting it to the socket !
- Make sure that the plug is cleanly and properly connected to the socket before using the charger !
- Never reach near the plug or socket with wet hands !
- Do not repair defective or damaged cables on the unit yourself, you could get a severe electric shock !
- Make sure that highly flammable substances (e.g. gases/oils etc.) are never in the vicinity of the unit !
- Never pick up hot objects, smouldering cigarette butts or ashes. It may damage the appliance or even cause a fire!
- If you are not going to use the unit for a longer period of time, remove the battery and disconnect the mains plug of the charger !
- Do not disconnect the mains plug of the charger by pulling on the power cable !
- The battery may only be charged with the charger specified by the manufacturer !  
Otherwise it can lead to explosions or fire in the worst case !

- The battery must never be taken apart or disassembled !
- The contacts of the battery must not come into contact with other metallic objects, this can lead to short circuits, flying sparks or even fire !
- The unit and the battery must not be exposed to temperatures of 50°C or higher!
- Protect the battery from impacts or falling down, these can damage the battery or lead to the leakage of dangerous acid !
- The hand blower may only be operated with the specially designed batteries !
- Keep the handles of the appliance dry, clean and free from oil and greasy substances !
- This hand blower should only be operated by persons who have the necessary physical and mental capabilities to operate this unit without problems !
- We recommend suitable safety equipment for your protection, such as the use of safety goggles and hearing protection. This reduces the risk of personal injury.

Please switch off the unit immediately and disconnect it from the mains/power supply if anything seems to be wrong !!! In this case, please contact a specialist and do not attempt to repair the unit yourself !!!

**Example:** Fan does not run during operation.

## Use and care of the battery

Lithium-ion batteries have many advantages over other batteries and rechargeable batteries: high cell voltage (more volts), no memory effect and low self-discharge. However, they pose a fire hazard if used improperly. Through proper disposal, valuable resources such as lithium, cobalt, manganese, silver or copper can be recovered.

In general, lithium batteries are considered safe when handled properly. Nevertheless, dangers can arise from mechanical damage, electrical faults and thermal effects.

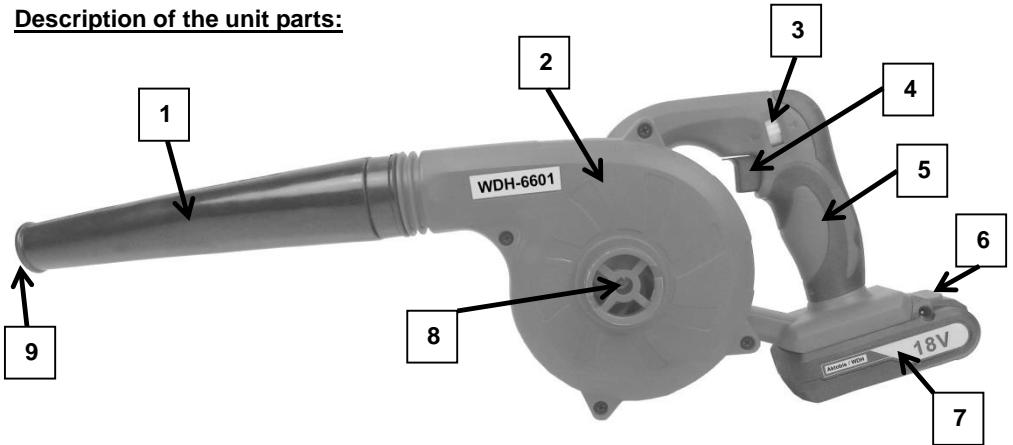
- Lithium-ion batteries are safe when handled properly.
- However, they can cause fires if used and stored improperly.
- Do not use defective lithium ion batteries.
- Tape the poles during storage and disposal to prevent short circuits.
- Mechanical damage can cause gaseous or liquid substances to escape, which can be highly irritating, flammable or even toxic.
- An electrical fault, e.g. a short circuit, can lead to overheating and fire.
- Even the external heating of a lithium-ion battery, e.g. by sunlight or heating, can lead to fire or explosion.

Always make sure that the lithium-ion batteries are sufficiently protected against mechanical or thermal influences. Should the lithium-ion batteries nevertheless show signs of damage, they should be removed from the device immediately and disposed of properly at the collection points.

Extending the service life: With lithium-ion batteries, it is even more important than with other batteries that premature ageing can be prevented and the service life extended through correct use. You can avoid irreversible loss of capacity by taking simple measures such as proper charging and storage during the usage phase:

A temperature range of 10-25 °C is optimal; temperatures above this can lead to accelerated ageing. When charging the battery, both deep discharge and full charge should be avoided. After a battery has been fully charged, it should be disconnected from the charger shortly afterwards to prevent premature ageing: During prolonged storage, rechargeable batteries should be stored away from equipment and not under high temperatures. We recommend a charge of approx. 40 % when a battery is stored for a long time, so that the battery has enough energy for any self-discharge. However, you should not worry too much about the charge status of a battery. The most important thing is that it is stored in a cool and dry place.

## Description of the unit parts:



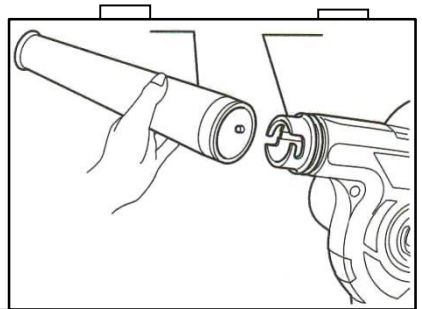
1. Blower attachment (nozzle)
2. Blower body
3. Controller for the fan strength
4. On switch
5. Handle

6. battery lock
7. rechargeable battery
8. suction inlet (supply air)
9. fan outlet (exhaust air)

## Assembly:

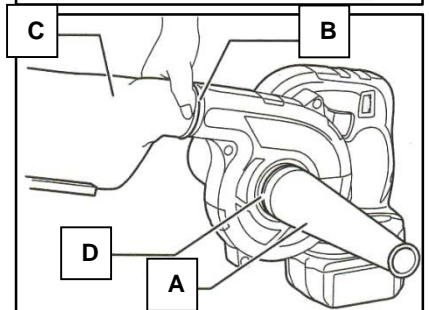
### 1. As a hand blower

Take the supplied blower attachment (A) and turn it onto the front of the blower body (B).



### 2. As a dust extractor

Take a suitable dust bag (optional accessory) (C) and screw it onto the front of the blower body (B). Now take the supplied blower attachment (A) and turn it sideways onto the supply air opening (D) as a dust collection nozzle.

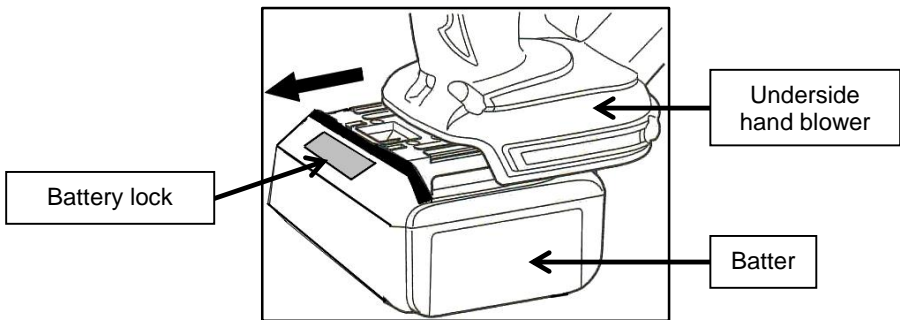


A suitable dust bag is available from us as an accessory.

## Instructions for use:

### 1. Preparing/charging the battery

- Place the battery upside down on the charger supplied.
- Now connect the charger properly to the socket.
- The charging process is indicated by the red LED lighting up.
- As soon as the battery is charged or no more charging current flows, the red LED goes out and the green LED lights up !
- Now unplug the charger from the socket.
- Now you can detach the battery from the charger and place it on your hand blower until the battery audibly clicks into place ! (See diagram below.)
- Now the hand blower is ready for operation !



- To change or charge the battery, first switch off the unit and then press the red battery lock on the front of your battery (see diagram above). Now pull the battery out of its holder.

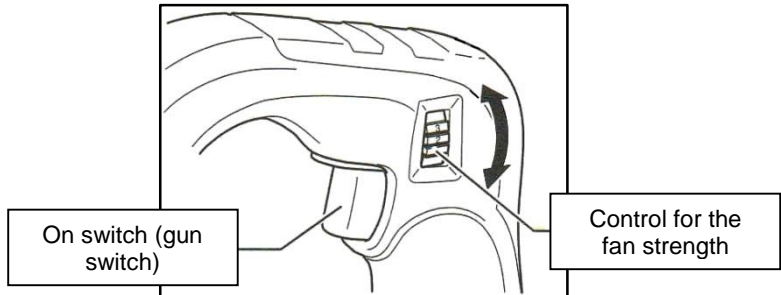
### 2. Commissioning

2.1. Align the hand blower so that the air stream flows in the desired direction after switching on.

2.2. The hand blower is switched on by the on switch (pistol switch), which is located at the front of the handle.

Unpressed        =unit OFF  
Pressed         =unit ON

The power (speed) of the hand blower can be increased by pressing the on switch (gun switch) deeper.



### 3. Control for the fan strength

The unit has three (3) power levels, which you can set with the "fan power control" above the switch on:

- 1 = Weak (Low)
- 2 = Medium
- 3 = Strong (High)

To avoid damage and premature wear to your hand blower, you should only use the "blower strength control" when the on switch (gun switch) is not pressed.

### 4. Cleaning & Storage

Allow the blower to drain completely and always remove the battery first before carrying out any cleaning activities on your unit !

#### 4.1 Cleaning:

- Use a soft and damp cloth to clean the outside of the unit.
- Only use mild cleaning agents to clean your blower.
- Please make sure that water does not get into the interior of the unit or onto the battery at any time !

#### 4.2 Storage:

- Remove the battery and place it in a separate box. Make sure that the battery contacts do not come into contact with metallic objects.
- We recommend covering the unit for storage or ideally packing it in its original box.
- Store the unit in a dry and sufficiently ventilated place/space.

## Technical data:

<b>Model name:</b>	WDH-6601
<b>Battery voltage:</b>	18 V
<b>Battery capacity (standard):</b>	2.0 Ah
<b>Battery charging time:</b>	Approx. 1 h
<b>Charger voltage:</b>	100-240V / 50-60 Hz
<b>Charger Power consumption:</b>	45 W
<b>Charging current:</b>	1,500 mA
<b>Max. Air circulation:</b>	168 m <sup>3</sup> /h
<b>Max. Noise emission:</b>	Approx. 79 dB(A)
<b>Diameter nozzle:</b>	Approx. 23 mm
<b>Max. Speed:</b>	13,500 rpm.
<b>Dimension (H/W/D):</b>	185 x 560 x 155 mm
<b>Weight:</b>	1,6 kg

For the technical data, deviations are reserved !!!

## Other:

### **Warranty statement:**

Notwithstanding the statutory warranty claims, the manufacturer grants a warranty in accordance with the laws of your country, but at least 1 year (in Germany 2 years for private individuals). The warranty begins on the date of sale of the appliance to the end user.

The guarantee only covers defects that are due to material or manufacturing faults.

Warranty repairs may only be carried out by an authorised customer service. To make a warranty claim, please enclose the original sales receipt (with date of sale).

Excluded from the guarantee are:

- Normal wear
- Improper applications, such as overloading the appliance or non-approved accessories.
- Damage due to external influences, use of force or foreign objects
- Damage caused by non-observance of the operating instructions, e.g. connection to an incorrect mains voltage or non-observance of the assembly instructions.
- Completely or partially dismantled units



## Conformity:

The plastic blower has been tested and itself and/or parts thereof have been manufactured under the following (safety) standards:

### Of course with CE conformity.

Conformity tested according to: EN 60335-1:2012+A11:2014  
EN 50636-2-100:2014  
EN 62233:2008  
EN 55014-1:2006/+A1:2009/+A2:2011  
EN 55014-2:2015

## Correct disposal of this product:



Within the EU, this symbol indicates that this product should not be disposed of with household waste. Waste equipment contains valuable recyclable materials that should be recycled and not harm the environment or human health through uncontrolled waste disposal. Therefore, please dispose of old appliances via suitable collection systems or send the appliance for disposal to the place where you purchased it. They will then recycle the appliance.

## Correct disposal of the battery:



**Li-ion**

Never throw lithium-ion batteries - like all other batteries and rechargeable batteries - in the household waste, but in the battery collection boxes in the shops. Consumers are legally obliged to do this. Collection boxes must be available wherever batteries are sold. Separate collection keeps pollutants out of household waste and the environment. On the other hand, it enables the recycling of batteries and thus the recovery of valuable materials such as steel, zinc and nickel.

For lithium-ion batteries, tape the poles beforehand to avoid a short circuit.

We hope you enjoy using this appliance:

*Your Aktobis AG*

**Keep these instructions for use in a safe place !**