

***Bedienungsanleitung
Instruction manual
Mode d'emploi
Istruzioni per l'uso
Gebruiksaanwijzing
Instrucciones de uso***

TFA®



Instruction manuals

www.tfa-dostmann.de/en/service/downloads/instruction-manuals Kat. Nr. 30.5033

CE

Fig. 1

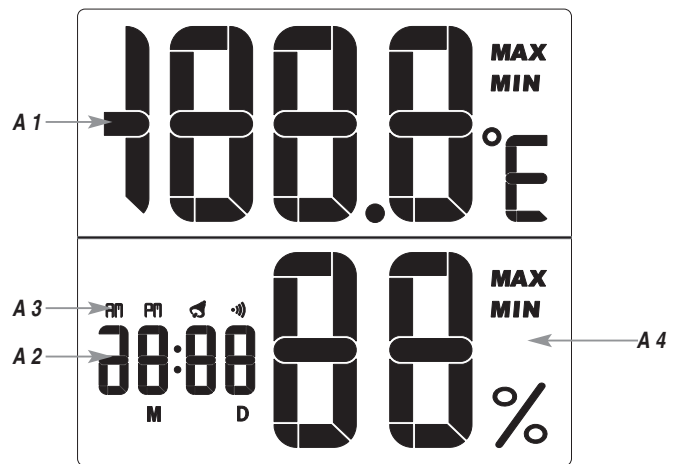


Fig. 2

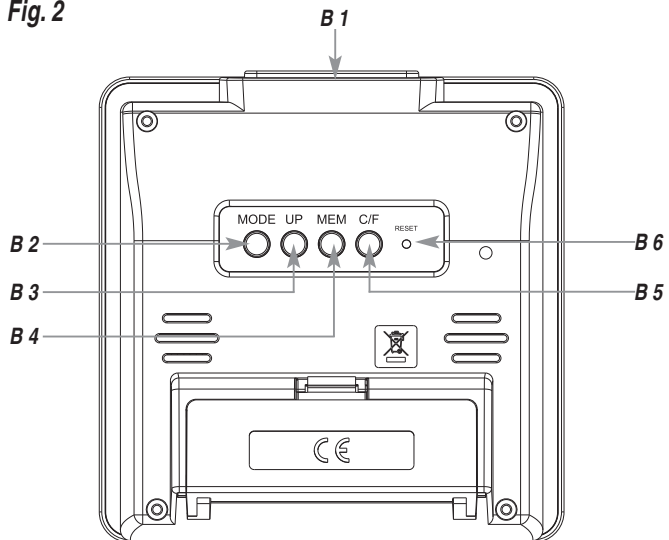
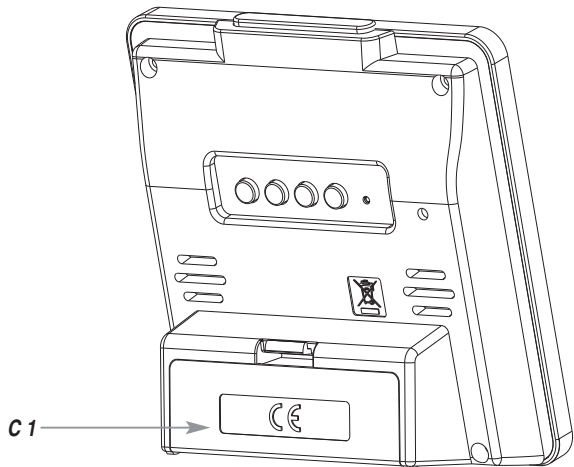


Fig. 3



Digitales Thermo-Hygrometer

D

Vielen Dank, dass Sie sich für dieses Gerät aus dem Hause TFA entschieden haben.

1. Bevor Sie mit dem Gerät arbeiten

- **Lesen Sie sich bitte die Bedienungsanleitung genau durch.** So werden Sie mit Ihrem neuen Gerät vertraut, lernen alle Funktionen und Bestandteile kennen, erfahren wichtige Details für die Inbetriebnahme und den Umgang mit dem Gerät und erhalten Tipps für den Störfall.
- **Durch die Beachtung der Bedienungsanleitung vermeiden Sie auch Beschädigungen des Gerätes und die Gefährdung Ihrer gesetzlichen Mängelrechte durch Fehlgebrauch.**
- **Ebenso haften wir nicht für inkorrekte Messwerte und Folgen, die sich aus solchen ergeben können.**
- **Für Schäden, die aus Nichtbeachtung dieser Bedienungsanleitung verursacht werden, übernehmen wir keine Haftung.**
- **Beachten Sie besonders die Sicherheitshinweise!**

2. Lieferumfang

- Thermo-Hygrometer
- Bedienungsanleitung

3. Einsatzbereich und alle Vorteile Ihres neuen Gerätes auf einen Blick

- Zur Kontrolle von Innentemperatur und Luftfeuchtigkeit für ein gesundes Wohnklima
- Mit Höchst- und Tiefstwerten
- Uhrzeit
- Alarm mit Snooze-Funktion
- Stundensignal
- Datumsanzeige

Digital thermo-hygrometer



Thank you for choosing this instrument from TFA.

1. Before you use this product

- **Please make sure you read the instruction manual carefully.**
This information will help you to familiarise yourself with your new device, to learn all of its functions and parts, to find out important details about its first use and how to operate it, and to get advice in the event of faults.
- **Following and respecting the instructions in your manual will prevent damage to your instrument and loss of your statutory rights arising from defects due to incorrect use.**
- **We shall not be liable for any damage occurring as a result of non-following of these instructions. Likewise, we take no responsibility for any incorrect readings or for any consequences resulting from them.**
- **Please take particular note of the safety advice!**
- **Please keep this instruction manual safe for future reference.**

2. Delivery contents

- Thermo-Hygrometer
- Instruction manual

3. Field of operation and all the benefits of your new instrument at a glance

- For the control of indoor temperature and humidity to help create a healthy room climate
- With maximum and minimum values
- Time
- Alarm with snooze function

Digital thermo-hygrometer



- Hourly chime
- Display of date

4. For your safety

- This product is exclusively intended for the field of application described above. It should only be used as described within these instructions.
- Unauthorized repairs, modifications or changes to the product are prohibited.



Caution!
Risk of injury:

- Keep this instrument and the battery out of the reach of children.
- Batteries contain harmful acids and may be hazardous if swallowed. If a battery is swallowed, this can lead to serious internal burns and death within two hours. If you suspect a battery could have been swallowed or otherwise caught in the body, seek medical help immediately.
- Batteries must not be thrown into a fire, short-circuited, taken apart or recharged. Risk of explosion!
- Low batteries should be changed as soon as possible to prevent damage caused by leaking. Wear chemical-resistant protective gloves and safety glasses when handling leaking batteries.



Important information on product safety!

- Do not place your product near extreme temperatures, vibrations or shocks.
- Protect it from moisture.

Digital thermo-hygrometer

5. Elements

A: Display:

A 1: Indoor temperature, MAX/MIN

A 2: Time, date, alarm

A 3: Symbol for the alarm and the hourly chime

A 4: Indoor humidity, MAX/MIN

B: Buttons:

B 1: **SNOOZE** button

B 2: **MODE** button

B 3: **UP** button

B 4: **MEM** button

B 5: °C/°F button

B 6: **RESET** button

C: Housing:

C 1: Support with battery compartment

6. Getting started

- Open the battery compartment and insert a new battery 1,5 V AA, ensure that the battery polarity is correct.
- Close the battery compartment again.
- All LCD segments will be displayed for a short moment.
- The unit is ready for use.
- The display shows the current indoor temperature and humidity.
- Above the time (12:00 default) appears AM on the display.
- Take out the battery to shut down the instrument.

GB

Digital thermo-hygrometer

GB


7. Operation

- Press and hold **UP** button in the setting mode for fast running.
- The instrument will automatically quit the setting mode if no button is pressed within 60 seconds.

7.1 Setting of the clock and calendar

- Press and hold the **MODE** button.
- The minute digits will be flashing.
- Press the **UP** button to set the minutes.
- Press the **MODE** button again and the setting sequence is shown as follows: Hours, 12-hour or 24-hour display format (AM or PM after 12 h appears on the display) month and day and adjust it with the **UP** button.
- Confirm the setting with the **MODE** button.
- The display shows the current time.

7.2 Setting of the alarm time





- To enter the alarm mode, press the **MODE** button in normal mode.
- 0:00 (default) or the last adjusted alarm time appears on the display.
- Press and hold **MODE** button.
- The alarm symbol  appears and the minute digits will be flashing.
- Press the **UP** button to set the minutes.
- Confirm the setting with the **MODE** button and set the hours in the same way.
- Confirm the setting with the **MODE** button.
- The display shows the adjusted alarm time and the alarm symbol. The alarm is activated.
- Press the **MODE** button again to return to the current time.

Digital thermo-hygrometer

Ⓒ

- When the adjusted alarm time is reached, the alarm will ring.
- Press any button and the alarm function will stop working.
- If the alarm is not stopped manually, the increasing alarm will automatically turn off after certain minutes and will be reactivated at the same time.
- The alarm symbol stays in the display.
- When the alarm rings, press the **SNOOZE** button and the snooze function will be activated.
- The alarm will be interrupted for 8 minutes.

7.3 Activate and deactivate the alarm time and the hourly chime

- To enter the alarm mode, press the **MODE** button in normal mode.
- The adjusted alarm time appears on the display.
- Press the **UP** button once to activate the alarm. On the display appears the alarm symbol .
- Press the **UP** button twice to activate the hourly chime. On the display appears the symbol for the hourly chime .
- Press the **UP** button three times to activate the alarm and the hourly chime. On the display appear both symbols  and .
- Press the **UP** button four times to deactivate both alarms. Both symbols disappear.
- Press the **MODE** button to return to normal mode.

7.4 Display of date

- Press the **UP** button in normal mode to show the date.

Digital thermo-hygrometer

Ⓒ

7.5 Temperature display

- Press the **°C/°F** button to change between °C (Celsius) or °F (Fahrenheit) as temperature unit.

7.5 Maximum and minimum values

- Press the **MEM** button.
- **MAX** appears on the display.
- The highest indoor temperature and humidity are displayed since the last reset.
- Press the **MEM** button again.
- **MIN** appears on the display.
- The lowest indoor temperature and humidity are displayed since the last reset.
- To go back to the present temperature and humidity display, press the **MEM** button once more.
- The instrument will automatically quit the **MAX/MIN** mode if no button is pressed.
- Press and hold the **MEM** button in the respective mode to clear the recorded maximum or minimum values.

8. Care and maintenance

- Clean your instrument with a soft damp cloth. Do not use solvents or scouring agents.
- Remove the battery if you do not use the product for a long period of time.
- Keep the instrument in a dry place.

8.1 Battery replacement

- Replace the battery when the display becomes weak or the alarm tone declines.

Digital thermo-hygrometer



- Open the battery compartment and insert a new battery 1,5 V AA, ensure that the battery polarity is correct.
- Close the battery compartment again.

9. Troubleshooting

Problems	Solution
No display on the device	<ul style="list-style-type: none"> → Ensure that the battery polarity is correct → Use a pin to press the RESET button → Change the battery
Incorrect indication	→ Change the battery

If your device fails to work despite these measures contact the supplier from whom you purchased it.

10. Waste disposal

This product has been manufactured using high-grade materials and components which can be recycled and reused.



Never dispose of empty batteries and rechargeable batteries in household waste.

As a consumer, you are legally required to take them to your retail store or to an appropriate collection site depending on national or local regulations in order to protect the environment.

The symbols for the heavy metals contained are:

Cd=cadmium, Hg=mercury, Pb=lead

Digital thermo-hygrometer



This instrument is labeled in accordance with the EU Waste Electrical and Electronic Equipment Directive (WEEE).

Please do not dispose of this instrument in household waste. The user is obligated to take end-of-life devices to a designated collection point for the disposal of electrical and electronic equipment, in order to ensure environmentally-compatible disposal.

11. Specifications

Power consumption:	Battery 1 x 1.5 V AA
Measuring range temperature:	0°C...+50°C (+32°F...+122°F) °C/°F-reversible
Measuring range humidity:	20...90 % rH
Display shows LL/HH:	Measuring is out of the range
Housing dimension:	94 x 37 x 94 mm
Weight:	95 g (instrument only)

TFA Dostmann GmbH & Co.KG, Zum Ottersberg 12, D-97877 Wertheim, Germany

No part of this manual may be reproduced without written consent of TFA Dostmann. The technical data are correct at the time of going to print and may change without prior notice. The latest technical data and information about this product can be found in our homepage by simply entering the product number in the search box.

www.tfa-dostmann.de

02/21

Termómetro-higrómetro digital

(E)

Digitales Thermo-Hygrometer

Digital thermo-hygrometer

Thermo-hygromètre digital

Termo-igrometro digitale

Digitale thermo-hygrometer

Termómetro-higrómetro digital

(D)

(GB)

(F)

(I)

(NL)

(E)

*TFA Dostmann GmbH & Co.KG, Zum Ottersberg 12, D-97877 Wertheim, Alemania
Estas instrucciones o extractos de las mismas no pueden ser publicados sin la autorización de la TFA Dostmann. Los datos técnicos de este producto corresponden al estado en el momento de la impresión y pueden ser modificados sin previo aviso. Los actuales datos técnicos e informaciones sobre su producto los puede encontrar bajo el número de artículo en nuestra página web.
www.tfa-dostmann.de*

02/21