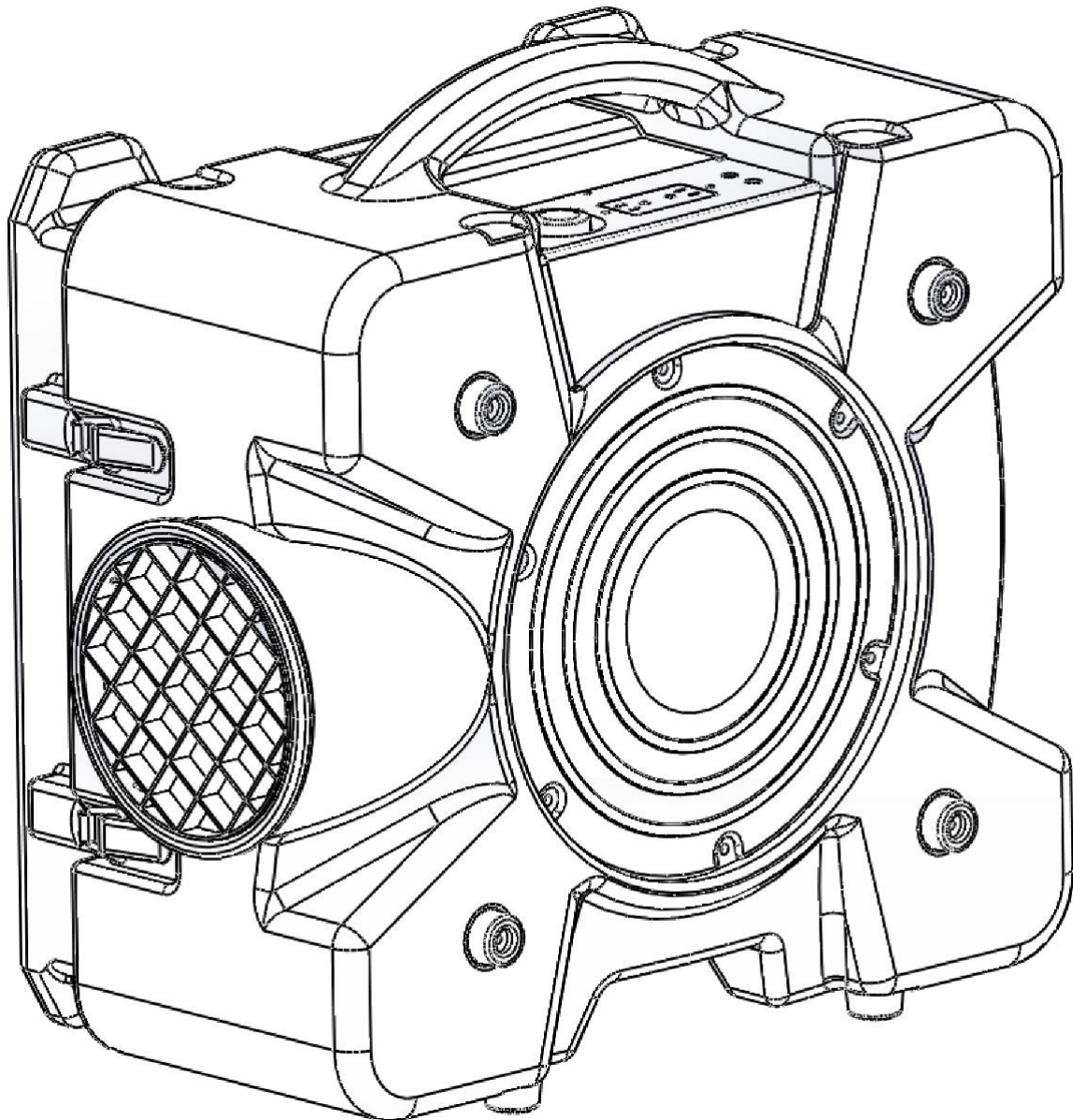


Industrial Air Purifier WDH-AF500B



Dear Customer,

You have chosen a high-quality product. To ensure that you get a lot of enjoyment from this product, here are a few more tips:

In case of any problems:

We hope that the appliance meets your expectations! If, despite the greatest possible care, there should ever be cause for complaint, please contact us briefly, as we are very concerned about your satisfaction and would like to clear up any misunderstanding.

Equipment and quality features:

Coarse dust filter (G4): The coarse dust filter (G4) removes all larger particles (> 10 µm) with an effectiveness of over 90%! It also ensures a longer service life of the HEPA filter.

HEPA filter (H13): One of the best filters around, this brand filter captures and filters particles as small as 0.0003 mm. This includes pollen, germs, mould spores and fine dust with a purity rate of 99.95% !!!

Active carbon filter (optional): Absorbs and purifies many types of smoke and odours and also helps break down toxic fumes, gases and solvents.

Control element: Stepless power control possible via the rotary control.

Housing made of rotated plastic: Very robust and extremely resilient housing, which is very easy to clean.

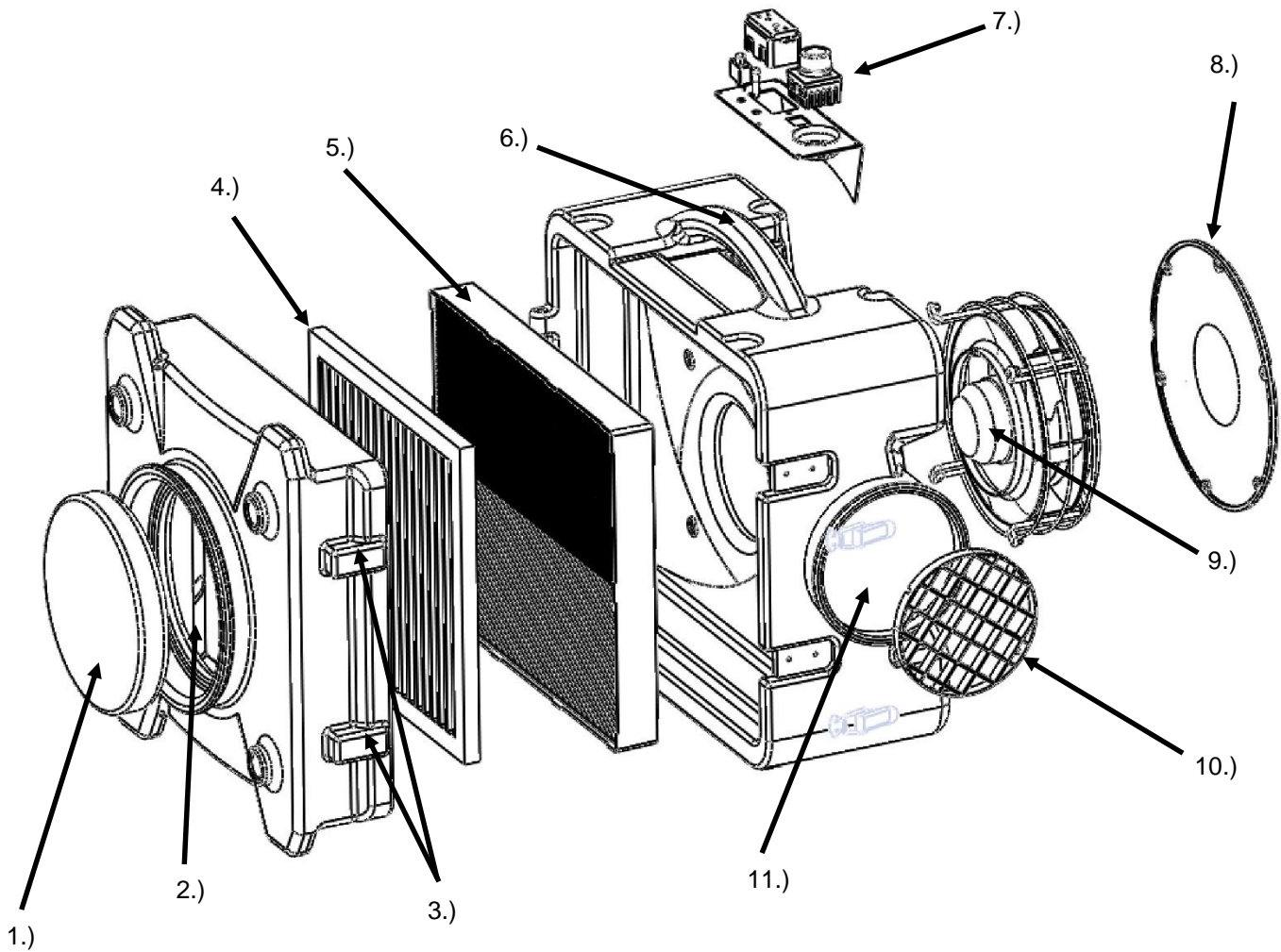
Important safety instructions:

- Operate the unit only in a straight position and with a straight/level stand !
- Ensure a minimum distance of 50 cm to inventory and walls !
- Do not place any objects on the appliance and make sure that the air intake and the exhaust air are always free!
- The unit does not replace room ventilation.
- Supervise the air purifier when children or animals are near the unit !
- This air purifier should only be operated by persons who have the necessary physical and mental capabilities to operate this device without problems !
- Watch out for electricity, never walk into or insert objects into the appliance !
- Only qualified personnel or electricians are allowed to open the inside of the unit !
- Protect the unit from all moisture and wetness! If the unit does get wet, please dry it thoroughly before using it again.
- Only use the recommended voltage for operating the unit !
- Make sure that the power cable is unfolded (untied) before connecting it to the socket !
- Make sure that the plug is cleanly and properly connected to the socket before using the appliance !
- Do not expose the filters to insect spray, they could later release the insect spray unintentionally !
- Dispose of the used filters properly and ideally packed airtight.
- Switch off the appliance and unplug the mains plug if you want to clean the appliance !
- Only clean the appliance with mild cleaning agents !
- Avoid using the unit at high room temperatures or in humid conditions !
- Do not make any independent modifications to the unit or the cables !
- Never reach near the plug or socket with wet hands !
- Make sure that highly flammable substances (e.g. gases/oils etc.) are never in the vicinity of the unit !
- If you are not going to use the unit for a long time, switch it off and disconnect the mains plug !

Please switch off the unit immediately and disconnect it from the mains/power supply if anything seems to be wrong !!! In this case, please contact a specialist and do not attempt to repair the unit yourself !!!

Examples: Fuse has blown or the appliance is making unusual noises and/or it smells burnt.

Device description:

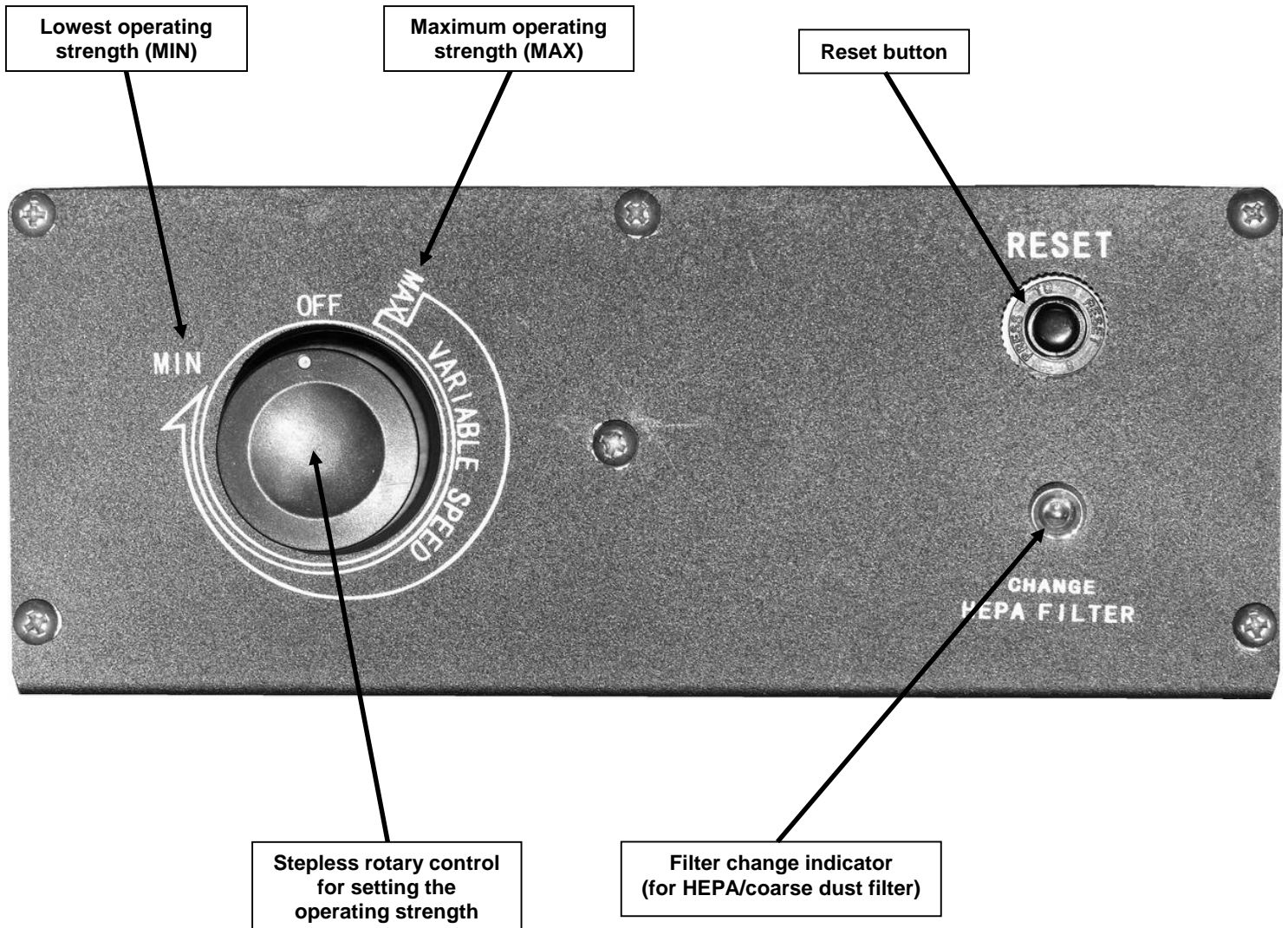


- 1.) Air intake cover plug
- 2.) Air intake
- 3.) Buckles
- 4.) Coarse dust filter
- 5.) HEPA filter

- 6.) Carrying handle
- 7.) Control element
- 8.) Cover and connecting disc
- 9.) Fan motor
- 10.) Exhaust air protection grille
- 11.) Exhaust air

Instructions for use:

1.) Overview control element:



2.) Preparation and installation of the filters

The air purifier is equipped with a coarse dust filter (G4) and a HEPA filter (H13) from the factory. To install new filters, first open the filter compartment door by opening the locking buckles. Now remove the coarse dust filter and the HEPA filter. Then insert the new filters neatly back into your air purifier. When inserting the HEPA filter, make sure that it is inserted the right way round. (The marking arrow on the filter indicates the direction of the airflow.) Finally, close the filter compartment door again properly using the locking buckles.

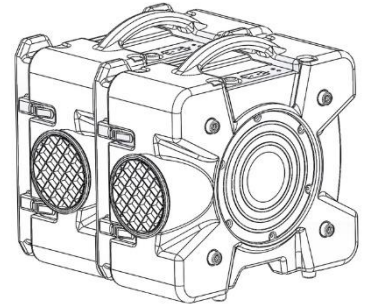
3.) The right location

We recommend that you place the air purifier under the following aspects:

- Central to achieving the highest possible effectiveness.
- Near possible sources of dirt (workplaces).
- With a clearance of 50 cm on all sides.
- With a distance of approx. 100 cm to other electrical appliances and/or machines.

Note: When large amounts of dust are generated, an air purifier alone may not be sufficient to ensure high air quality. If necessary, we recommend creating an additional air exchange by opening windows and doors !

Furthermore, you can connect up to four (4) WDH-AF500B industrial air cleaners to each other to increase the filter capacity (see picture on the right). To do this, unscrew the cover and connecting disc of the unit and then connect the units together.



4.) Switching the appliance on and off

First connect the unit properly to the mains socket. Remove the cover plug of the air intake and now turn the stepless control dial clockwise until your industrial air purifier starts.

Note: Please note that the industrial air cleaner starts immediately at the highest level. Should you continue to turn the control dial clockwise, you will increasingly reduce the performance (air flow rate).

5.) Strongest operating level (MAX)

We recommend that you initially run the industrial air purifier at full power to sufficiently clean the affected room or area. As time goes by, you can decide whether a lower operating level is sufficient for you.

6.) Reset button

Use the reset button in the event of technical difficulties (e.g. motor runs out of round) to disconnect your air purifier from the power supply in the event of any problems (motor problems) and thus protect it from further damage. The reset button has no function in normal state/normal operation.

7.) Filter change LED

The filter change indicator shows you when the air flow rate of the unit has decreased considerably due to clogged filters. Now the coarse dust filter or the HEPA filter in particular should be checked or replaced. The air flow rate is measured by a differential pressure switch integrated in the unit.

Large amounts of dust can greatly reduce the lifetime of the filters. If necessary, change the filters in case of heavy soiling even before the filter change indicator lights up.

Hint:

Disconnect the mains plug before cleaning/replacing the filters. For best filtration results, we strongly recommend that you use only original filters from the manufacturer.

To change the filter, follow the instructions as described earlier in the operating instructions under point 2.).

8.) Cleaning & Storage

Always unplug the appliance from the mains before cleaning it !

8.1 Cleaning:

- Use a soft and damp cloth to clean the outside of the unit.
- Only use mild cleaning agents to clean your air purifier.
- Please make sure that no water gets into the interior of the appliance or onto the filters at any time !

8.2 Storage:

- We recommend covering the unit for storage or ideally packing it in its original box.
- Store the unit in a dry and sufficiently ventilated place/space.

Technical data:

Model name:	WDH-AF500B
Voltage:	220 - 240V / 50Hz
Max. Power consumption:	225 W (1.0 A)
Max. Air circulation:	850 m ³ /h
Noise emission:	Low ~ 45 dB(A), High ~ 65 dB(A)
Dimension (H/W/D):	635 x 408 x 625 mm
Weight:	17,5 kg

For the technical data, deviations are reserved !!!

Troubleshooting:

The unit itself emits an unpleasant odour:

A new air purifier still has a slight odour of its own (fresh plastic, new motor, new paint, etc.). This new smell dissipates within a very short time (1-2 weeks) !

The unit does not respond / The unit cannot be switched on:

Check the power cable, especially the connection to the air purifier. Please also check whether the power socket is live and whether the air purifier is switched on.

Other:

Warranty statement:

Notwithstanding the statutory warranty claims, the manufacturer grants a warranty in accordance with the laws of your country, but at least 1 year (in Germany 2 years for private individuals). The warranty begins on the date of sale of the appliance to the end user.

The guarantee only covers defects that are due to material or manufacturing faults.

Warranty repairs may only be carried out by an authorised customer service. To make a warranty claim, please enclose the original sales receipt (with date of sale).

Excluded from the guarantee are:

- Normal wear
- Improper applications, such as overloading the appliance or non-approved accessories.
- Damage due to external influences, use of force or foreign objects
- Damage caused by non-observance of the operating instructions, e.g. connection to an incorrect mains voltage or non-observance of the assembly instructions.
- Completely or partially dismantled units

Conformity:

The air purifier has been tested and itself and/or parts thereof have been manufactured under the following (safety) standards:

Of course with CE (EMC + LVD) conformity.

CE (EMC) conformity tested according to: EN 55014-1:2006+A1:2009+A2:2011
EN 55014-2:1997+A1:2001+A2:2008
EN 61000-3-2:2014
EN 61000-3-3:2013

CE (LVD) Conformity tested according to: EN 60335-2-65:2015
EN 60335-1:2012+A1:2015

Correct disposal of this product:



Within the EU, this symbol indicates that this product should not be disposed of with household waste. Waste equipment contains valuable recyclable materials that should be recycled. Furthermore, the environment or human health should not be polluted by uncontrolled waste disposal. Therefore, please dispose of old appliances via suitable collection systems or send the appliance for disposal to the place where you purchased it. They will then recycle the appliance.

I wish you much pleasure with this appliance.

Your Aktobis AG

Keep these instructions for use in a safe place !

Notes:
