

Air Purifier WDH-220B



Dear Customer,

You have chosen a high-quality product. To ensure that you get a lot of enjoyment from this product, here are a few more tips:

In case of any problems:

We hope that the appliance meets your expectations! If, despite the greatest possible care, there should ever be cause for complaint, please contact us briefly, as we are very concerned about your satisfaction and would like to clear up any misunderstanding.

Equipment and quality features:

Pre-filter: The cleanable pre-filter (filter grid) removes all larger particles such as hair and lint, thus ensuring a longer service life of the HEPA filter.

HEPA filter: One of the best filters around, this branded filter captures and filters particles as small as 0.0003mm. This includes pollen, germs, mould spores and dust with a purity rate of 99.97% !!!

Active carbon filter: Absorbs and cleans many types of smoke and odours (e.g. cigarette smoke) and also helps break down toxic fumes, gases and solvents.

Anion exchanger: Automatically switches on when the air purifier is in operation and produces more than 5 million anions per second, which proactively combat smoke and other dirt particles in the room.

Air sensor / Auto mode (optionally switchable): Automatically measures the air quality. If the determined air quality is good, the air purifier automatically switches to the weakest operating level (night mode). If the result is the opposite and the air quality is inferior or poor, the operating strength adjusts automatically (strong or weak).

3 speed levels: strong (approx. 200 m³/h), weak (approx. 150 m³/h) and night mode (approx. 80 m³/h).

LCD display: The air purifier has a modern and very clear LCD display, so you always have a quick overview of all settings.

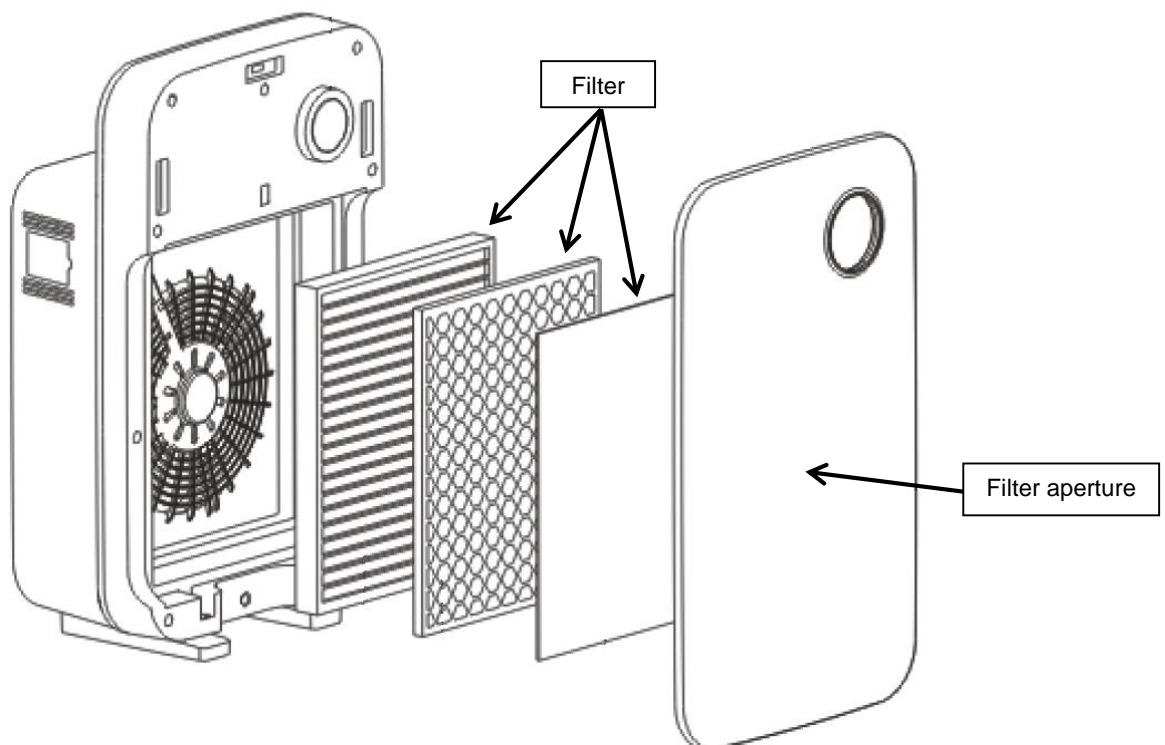
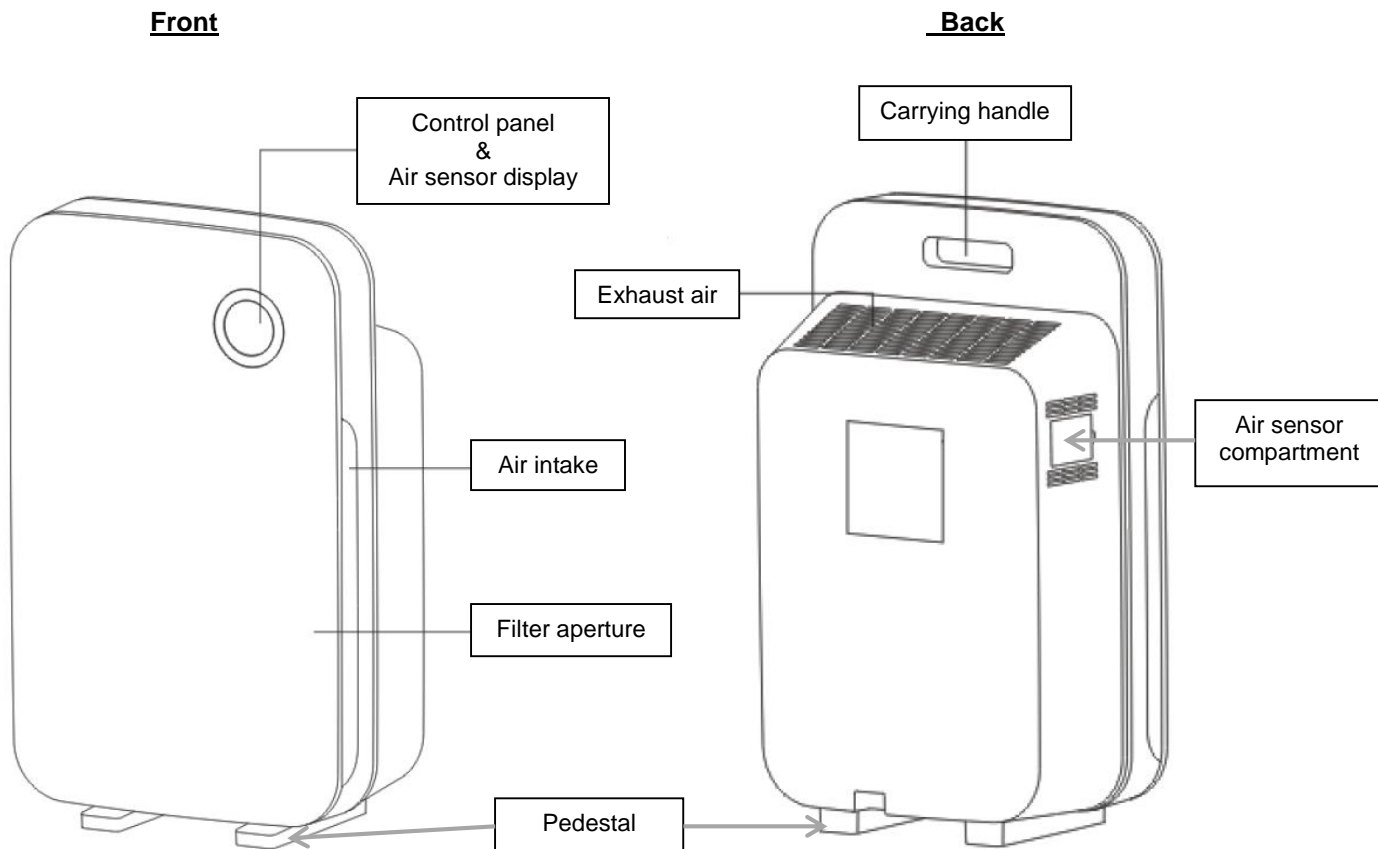
Important safety instructions:

- Operate the unit only in a straight position and with a straight/level stand !
- Make sure that there is a minimum distance of 50 cm to the sides and a minimum distance of 10 cm to the rear of fixtures and walls!
- Do not place any objects on the appliance and make sure that the air intake and the exhaust air are always free!
- The appliance does not replace room ventilation and is not suitable for use as an extractor bonnet when cooking !
- Supervise the air purifier when children or animals are near the unit !
- This air purifier should only be operated by persons who have the necessary physical and mental capabilities to operate this device without problems !
- Watch out for electricity, never walk into or insert objects into the appliance !
- Only qualified personnel or electricians are allowed to open the unit !
- Protect the unit from all moisture and wetness !
- Only use the recommended voltage for operating the unit !
- Make sure that the power cable is unfolded (untied) before connecting it to the socket !
- Make sure that the plug is cleanly and properly connected to the socket before using the appliance !
- Do not expose the filters to insect spray, they could later release the insect spray unintentionally !
- Switch off the appliance and unplug the mains plug if you want to clean the appliance !
- Only clean the appliance with mild cleaning agents !
- Avoid using the unit at high room temperatures or in humid conditions !
- Do not make any independent modifications to the unit or the cables !
- Never reach near the plug or socket with wet hands !
- Make sure that highly flammable substances (e.g. gases/oils etc.) are never in the vicinity of the unit !
- If you are not going to use the unit for a long time, switch it off and disconnect the mains plug !

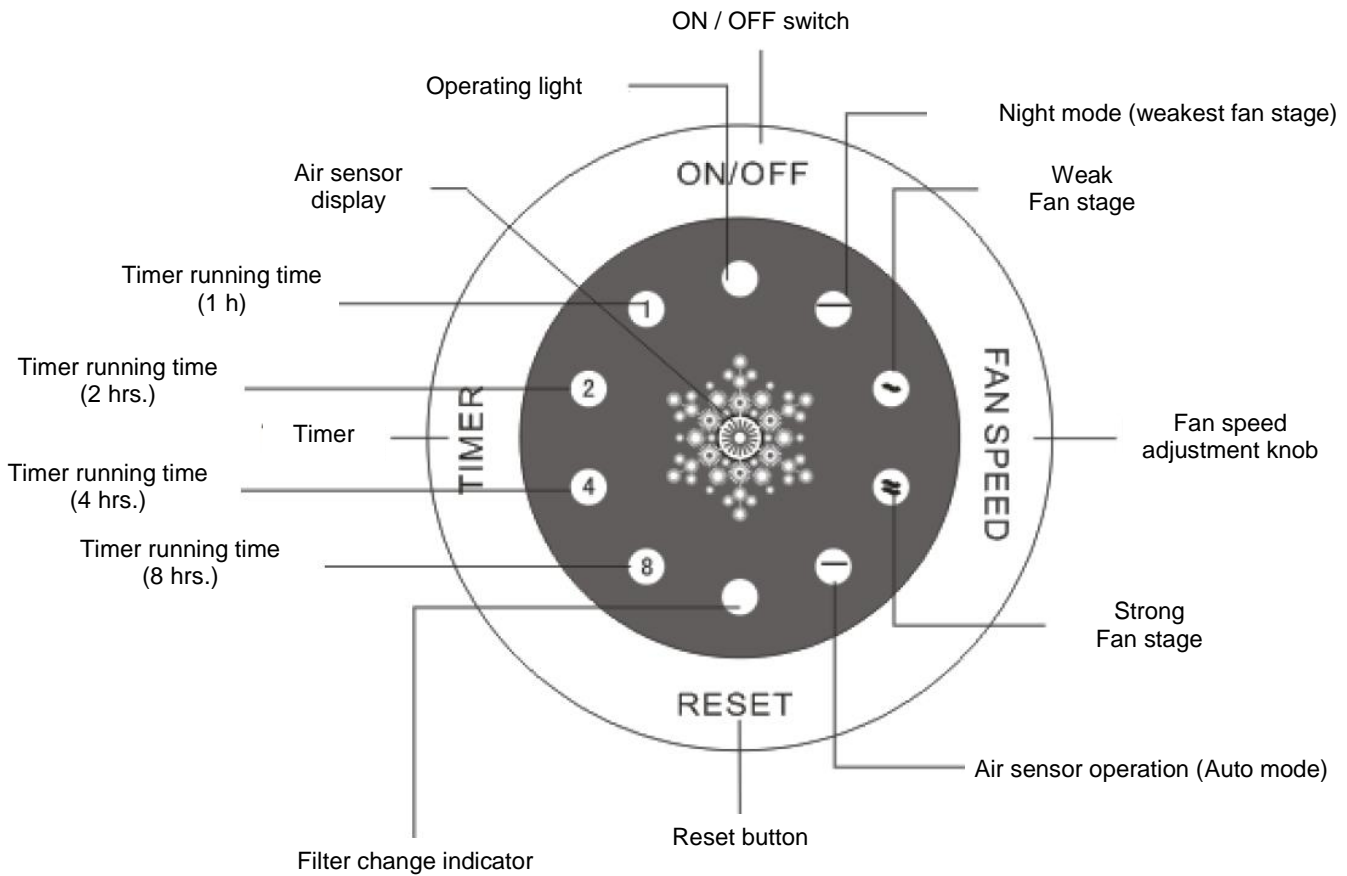
Please switch off the unit immediately and disconnect it from the mains/power supply if anything seems to be wrong !!! In this case, please contact a specialist and do not attempt to repair the unit yourself !!!




Examples: Fuse has blown or the appliance is making unusual noises and/or it smells burnt.

Device description:



Overview display & remote control:



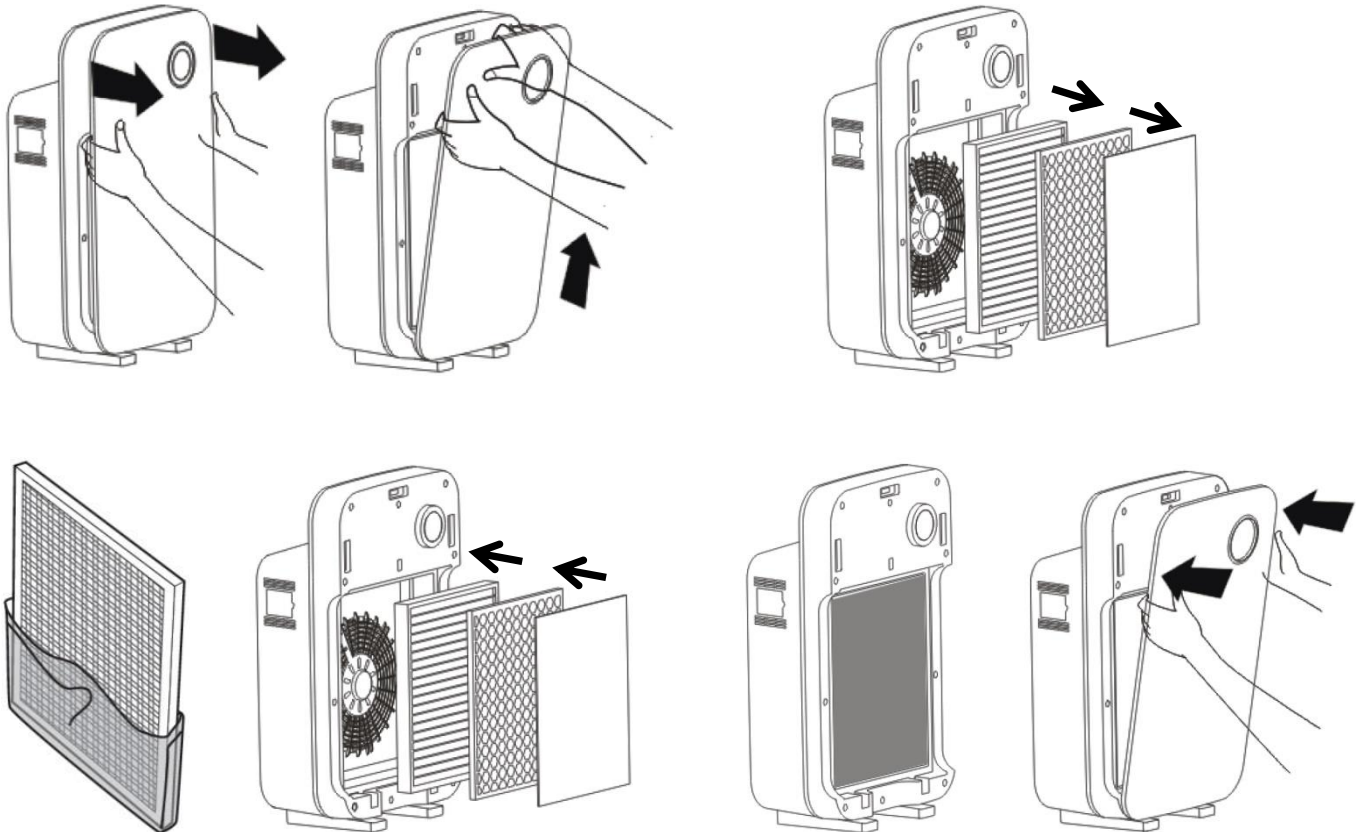
<u>Air sensor display</u>	
	Blue = Good
	Green = Loaded
	Red = Bad

Instructions for use:

1.) Preparation and installation of the filters

The air purifier is equipped with all filters from the factory. First open the front filter cover by reaching into the side ventilation slots at the upper end and pulling the filter cover forwards with a slight jerk. Now remove all filters. Remove the protective cover from the fine filters and then insert the filters back into the unit in the correct order. When inserting the filters, make sure that they are inserted properly so that the tab always faces forward/outward! Finally, insert the pre-filter. Make sure that all the holders are properly seated in the pockets. Finally, replace the front panel and close it.

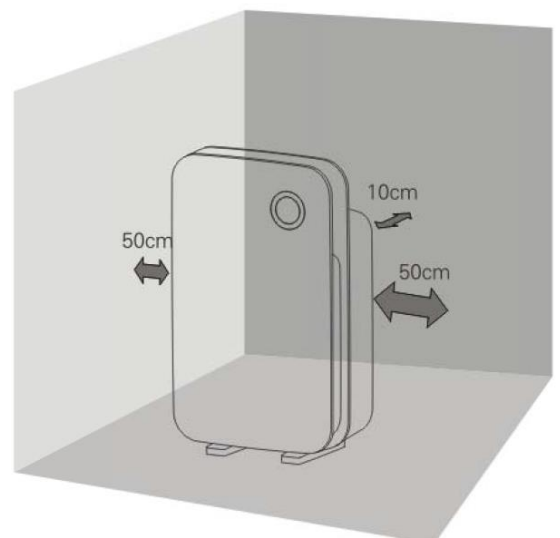
See the charts below:



2.) The right location

Place the air purifier under the following aspects:

- Central to achieving the highest possible effectiveness.
- Near possible sources of dirt (windows, doors, pets, smokers).
- With a minimum distance to the side of 50 cm and to the rear of 10 cm. (See diagram opposite).
- To avoid interference, we recommend a distance of about one metre from the TV and/or radios. In addition, the units should be powered from different power sources.
- Since the unit attracts dust, if the unit is always in the same location, the surrounding (white) walls may become dirty more quickly than in other areas.



3.) Power connection

Insert the plug into the socket and wait for the LED indicator to light up briefly.

4.) Switching the air purifier on or off

Press the ON / OFF switch. The air purifier acknowledges the command with a short beep, the operating light stops flashing, the LED display switches on and the air purifier starts its operation. The default operating mode is air sensor mode (Auto mode).

To switch off, press the ON / OFF switch for approx. three seconds. The air purifier acknowledges the switch-off with a short beep and the LED display switches off.

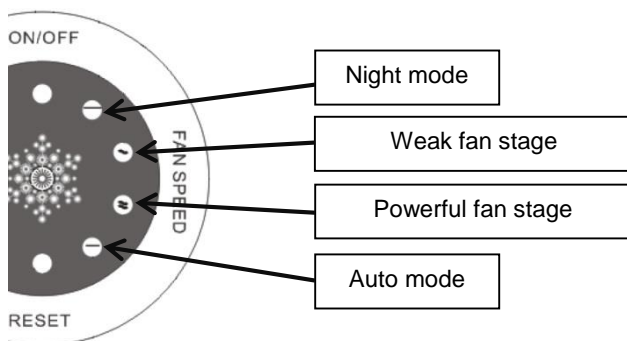
5.) Setting the different operating levels or the auto mode

Manual operation:

Press the "FAN SPEED" button and select your desired power level by pressing it repeatedly. There are three air circulation levels:

- Night mode (*Silent*) > *Particularly quiet operation with very low air circulation.*
- Weak fan stage
- Powerful fan stage

(See chart below).



Auto mode:

Press the "FAN SPEED" button until the Auto mode indicator lights up in the display panel. The air sensor then switches on and automatically starts measuring the air quality.

(See above chart).

Please note that the proper air sensor function is only available after approx. two minutes !

If the determined air quality is "good", the air purifier automatically switches to a weak fan stage. If the result is the opposite and the air quality is inferior or poor, the air purifier switches to a strong fan stage.

Notes on the air sensor

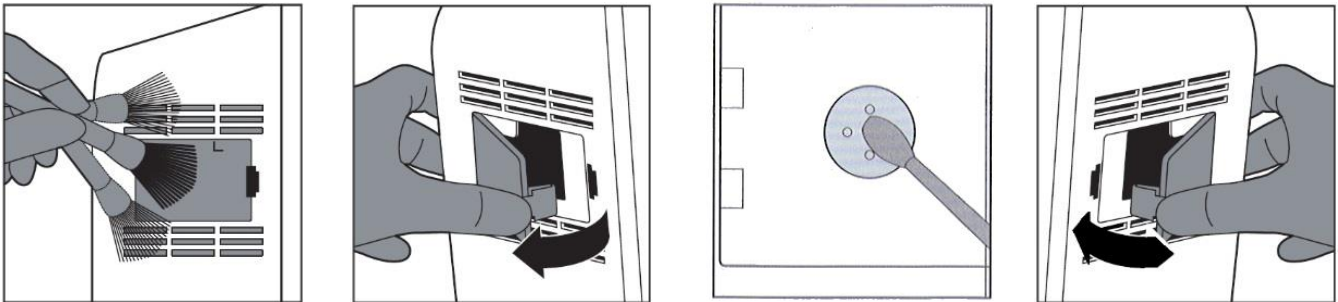
The air sensor is located in a small compartment on the side and reacts to particles in the air and thus always gives only a tendency of the air quality. Since it is a tendency (similar to a weather station), this function cannot provide a 100% reliable statement about pollutants in the room air or about the entire area of a room.

Furthermore, stronger operating fluctuations may occur from time to time (jump from red to green and vice versa), as the air sensor probe reacts to particles and volatile organic compounds (VOCs) in the room and is also exposed to draughts.

Cleaning the air sensor

To ensure trouble-free operation of the air sensor (Auto mode), we recommend cleaning the air sensor approximately every two months. First take a soft brush to clean the air slots above and below the air sensor.

of the air sensor compartment. Then open the air sensor compartment. Now clean all areas of the air sensor or the air sensor board. Please use a soft (damp) cotton swab to clean the inlet, outlet and the sensor, and a dry cotton swab to remove any water residue on the sensor. Finally, close the air sensor compartment again. (See the diagrams below).



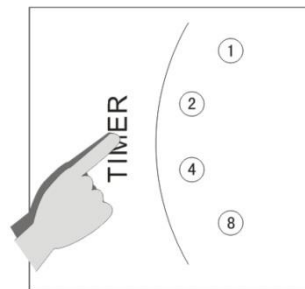
6.) Timer

With the timer function, you can conveniently determine or select the remaining running time of the air purifier. You can select the following time periods by pressing the "TIMER" button:

- (1) = One hour
- (2) = Two hours
- (4) = Four hours
- (8) = Eight hours

(See chart opposite).

After the set time period has elapsed the air purifier switches off automatically.



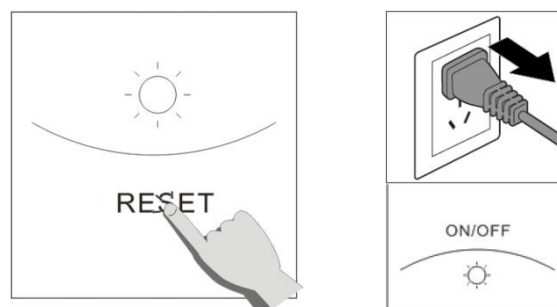
7.) Filter change / filter change indicator

The unit is equipped with a filter change indicator. Depending on the duration of use and the degree of soiling, this may be signalled to you by a regular beep interval and by the LED lights in the display panel lighting up red ! This is the indication that the pre-filter should be cleaned and/or the fine filters replaced.

Notes: Disconnect the mains plug before cleaning/replacing the filters. For best filtration results, we strongly recommend that you use only original filters from the manufacturer.

After cleaning the pre-filter and/or replacing the fine filters, it is necessary to press the reset button ! Then press the reset button for approx. 3-5 seconds until you hear a short "beep". Please note that the air purifier must be switched on for resetting! Finally, the air purifier should be switched off and briefly disconnected from the power supply (pull out the mains plug). After that, your air purifier is fully operational again !

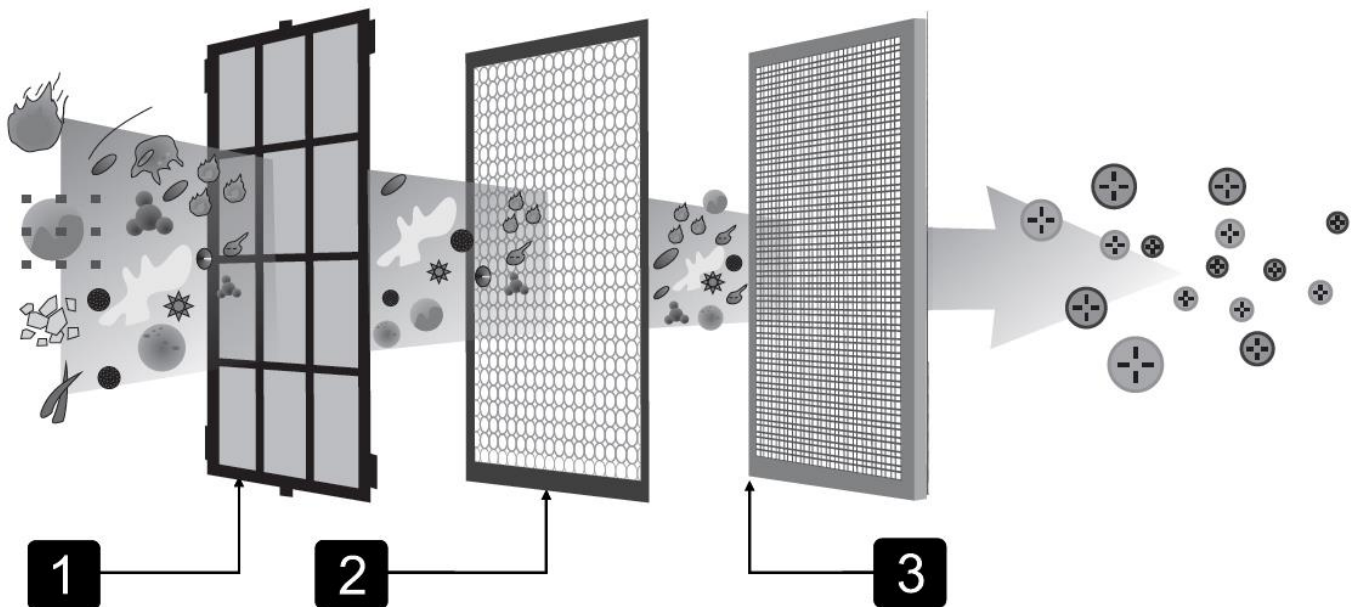
(See charts below:)



8.) Other

If desired, the air sensor display (the crystal in the inner display field) can be switched off manually. To do this, press the "FAN SPEED" button for approx. 3-5 seconds until you hear a "beep". This switches off the air sensor display. To switch on again, press the "FAN SPEED" button again for approx. 3-5 seconds until you hear a "beep" again. This causes the air sensor display to light up again.

The filters (diagram):



To achieve optimal filter results, we recommend the following filter sequence:

1. Prefilter
2. Active carbon filter
3. HEPA filter

Notes for the filters:

1. With an average use of approx. 8 hours per day, the filters last up to one year! In more polluted rooms, e.g. smokers' households, the filters may have to be replaced after approx. 4 - 6 months (at the latest when the HEPA filter is dark brown, it should be replaced) !
2. Never wash the fine filters. (Only the pre-filter can be cleaned).

Technical data:

Model name:	WDH-220B
Voltage:	220V-240V / ~ 50/60Hz
Max. Power consumption:	60 W (0.3 A)
Max. Air circulation:	200 cbm/h
Recommended max. room size:	40 sqm (100 cbm)
Dimension (H/W/D):	536 x 324 x 182 mm
Weight:	5.2 kg

For the technical data, deviations are reserved !!!

Troubleshooting:

The unit itself emits an unpleasant odour:

A new air purifier still has a slight odour of its own (fresh plastic, new motor, new paint, etc.). This new smell dissipates within a very short time (1-2 weeks) !

The air sensor is causing problems:

Please read the notes under point 5 (Note on air sensor operation / Auto mode). If the explanations given there are not applicable and the air sensor continues to cause difficulties (despite cleaning), read the following notes:

1. Have you given the air purifier a "free hand" for 12 hours in "auto mode" or have you let it run continuously? Especially at the beginning and especially with smokers, 12 hours of continuous operation and more are quite normal, because often particles/odour patterns sit in the entire inventory (curtains, upholstery, carpet, etc.) and depending on the nature of the material, it can take a considerable time until this inventory releases the odours again.
2. Please ensure that the air sensor function is not used when the air purifier is in a draught (e.g. between two open windows and/or doors).
3. High room humidity can also cause the air sensor to detect poor air quality.
4. In very rare cases, the air sensor may react negatively to certain substances (e.g. furniture polish, perfume, etc.) in your room. In these cases, you should refrain from using the automatic air sensor operation (Auto mode).

It takes too long to neutralise smoke and/or odours:

In general, our air purifier is very well suited for odour and smoke neutralisation. But please note that the result/end result of our air purifier always depends on how many odour particles are flowing in and how the air circulation is at your place !

This is because the inserted odour filters always absorb/remove only a part of all odour particles in one pass. Therefore, a general rule is three filter passes until all odour particles have been absorbed.

(Note: When filtering dust and particles, one filter pass is sufficient to clean the air, as all particles are retained in the HEPA fine filter = 99% effectiveness. For odours, the active carbon filter is mainly used and here the filter medium needs approx. three filter cycles per sqm³ of air until one can speak of clean air = 33% effectiveness !!!) Furthermore, it is also important to consider that odour patterns can already be present in the furnishings - and depending on the nature of the individual materials, it can take a considerable amount of time until these have released the odours again.

(The WDH-220B air purifier only eliminates odours that are circulated or filtered through it).

The unit does not respond / The unit cannot be switched on:

1. Check that all filters are properly inserted and that the front filter panel is properly closed.
2. Check whether the filter change indicator lights up. If so, change/clean the filters and then press the reset button (see point 7. of the instruction manual).

Other:

Warranty statement:

Notwithstanding the statutory warranty claims, the manufacturer grants a warranty in accordance with the laws of your country, but at least 1 year (in Germany 2 years for private individuals). The warranty begins on the date of sale of the appliance to the end user.

The guarantee only covers defects that are due to material or manufacturing faults.

Warranty repairs may only be carried out by an authorised customer service. To make a warranty claim, please enclose the original sales receipt (with date of sale).

Excluded from the guarantee are:

- Normal wear
- Improper applications, such as overloading the appliance or non-approved accessories.
- Damage due to external influences, use of force or foreign objects
- Damage caused by non-observance of the operating instructions, e.g. connection to an incorrect mains voltage or non-observance of the assembly instructions.
- Completely or partially dismantled units

Conformity:

The air purifier has been tested and itself and/or parts thereof have been manufactured under the following (safety) standards:

Of course with CE (EMC + LVD) conformity.

CE (EMC) Conformity according to: EN 55014-1:2017
EN 55014-2:2015
EN 61000-3-2:2014
EN 61000-3-3:2013

CE conformity tested according to: EN 60335-1:2012+A11:2014+A13:2017
EN 60335-2-65:2003+A1:2008+A11:2012
EN 62233:2008

Correct disposal of this product:



Within the EU, this symbol indicates that this product should not be disposed of with household waste. Waste equipment contains valuable recyclable materials that should be recycled. Furthermore, the environment or human health should not be polluted by uncontrolled waste disposal. Therefore, please dispose of old appliances via suitable collection systems or send the appliance for disposal to the place where you purchased it. They will then recycle the appliance.

I wish you much pleasure with this appliance.

Your Aktobis AG

Keep these instructions for use in a safe place !